

Confidential and Proprietary

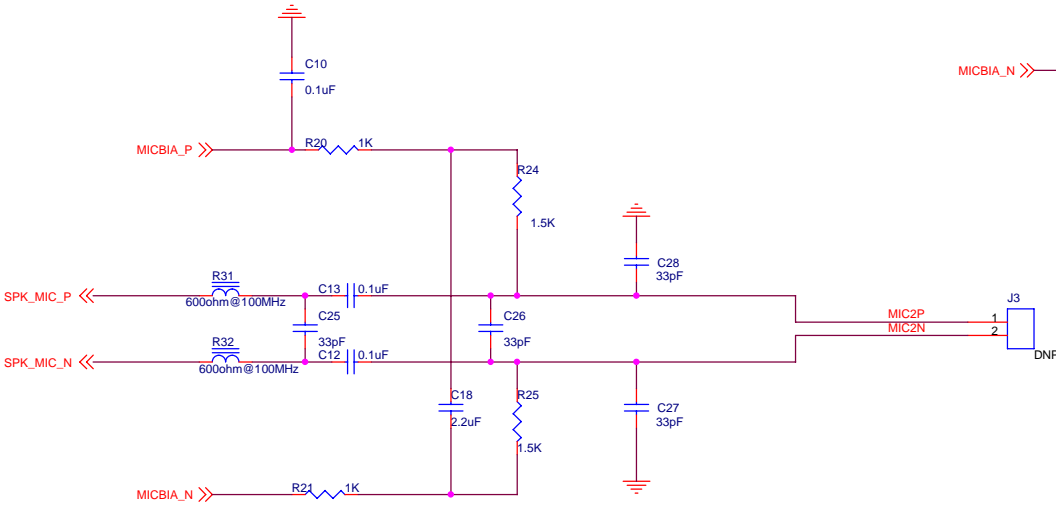
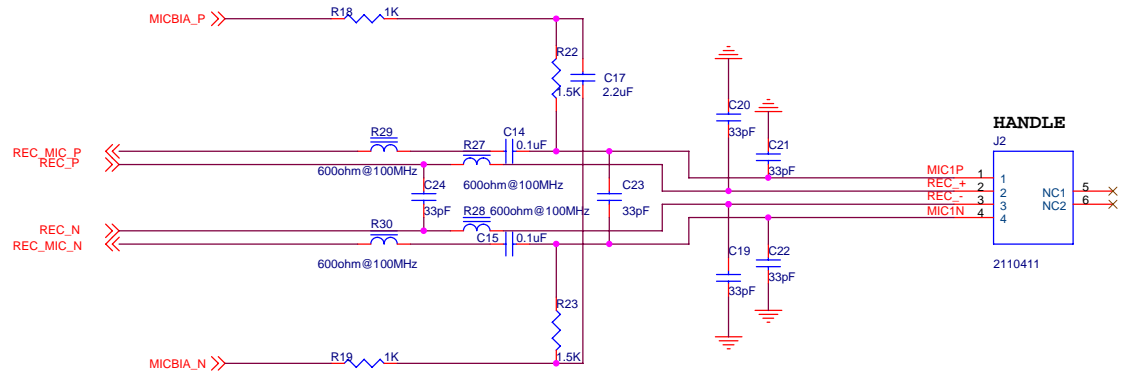
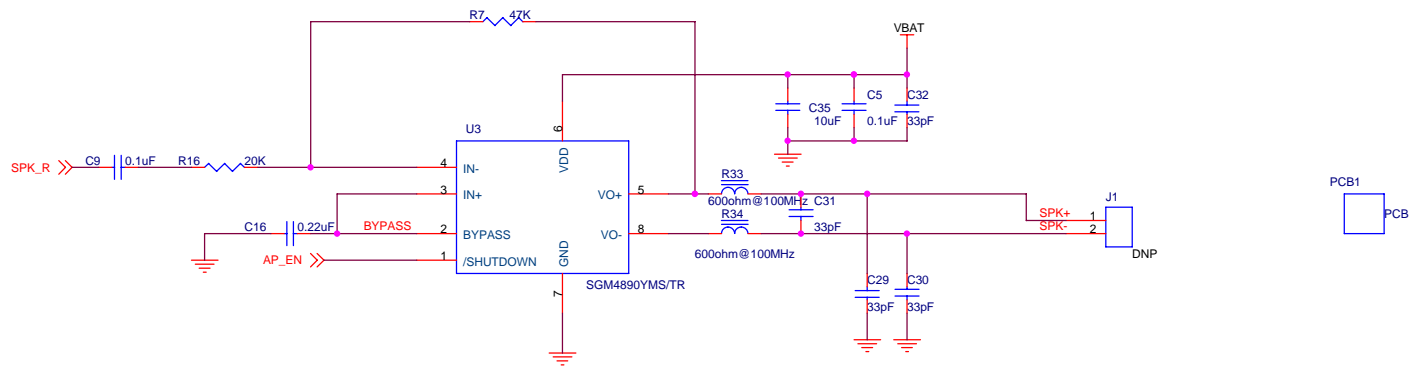
This Design Drawing is Sole Property of AsiaTelco Technologies, Un-Authorized USE, COPY and DISCTRIBUTION is PROHIBITED!

AsiaTelco Technologies
 Floor 3, #289-8 BiSheng Road
 Zhangjiang Hi-Tech Park Pudong, Shanghai
 P.R.China, 201203

Under Non Disclosure Agreement Do Not Copy

Title Page: **WM5509 EVB** Module

Size A3	Document Number	Modified by: Changyu Chen	Rev P2
Date: Monday, October 12, 2009	Sheet 1 of 2		



Confidential and Proprietary

This Design Drawing is Sole Property of AsiaTelco Technologies. Un-Authorized USE, COPY and DISTRIBUTION is PROHIBITED !

AsiaTelco Technologies
 Floor 3, #269-8 BiSheng Road
 Zhangjiang Hi-Tech Park Pudong, Shanghai
 P.R.China, 201203

Under Non Disclosure Agreement Do Not Copy

Title :		WM5509 EVB AUDIO	
Size	Document Number	Modified by:	Rev
A3	324-0097-001	Changyu Chen	P2
Date:	Monday, October 12, 2009	Sheet	2 of 2